

PRODUCT INFORMATION PACKET

Model No: 056T34VD5301
Catalog No: N450
1/3,3600,TENV,56C,3/60/208-230/460
Washdown Duty



Regal and Marathon are trademarks of Regal Beloit Corporation or one of its affiliated companies.
©2018 Regal Beloit Corporation, All Rights Reserved. MC017097E





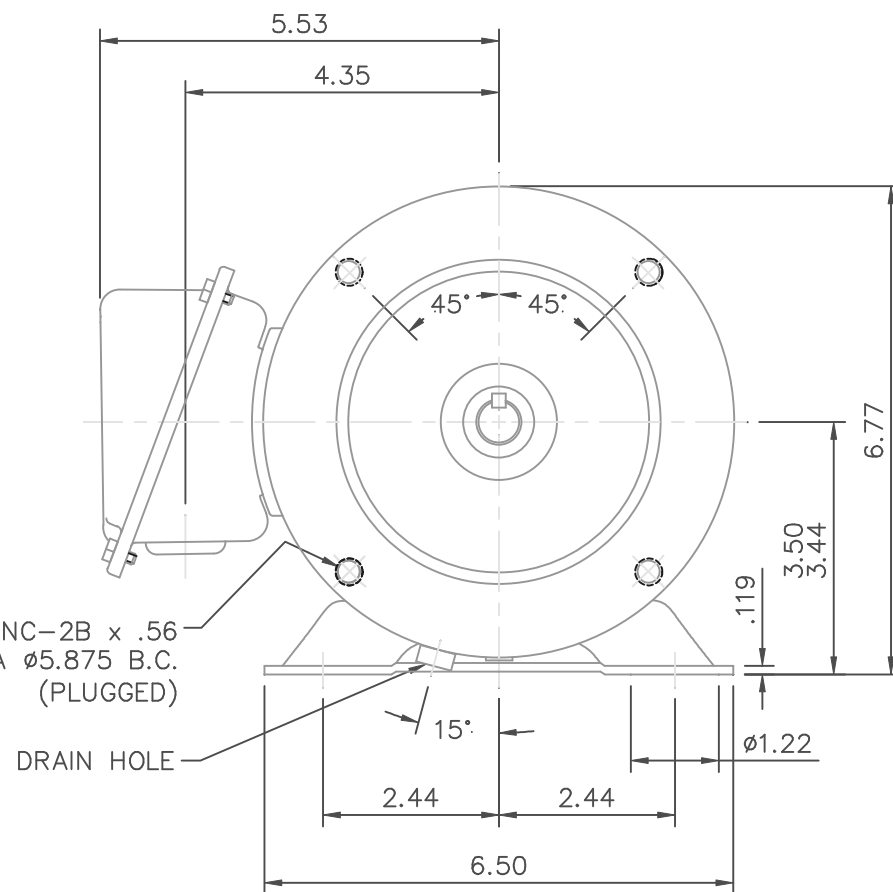
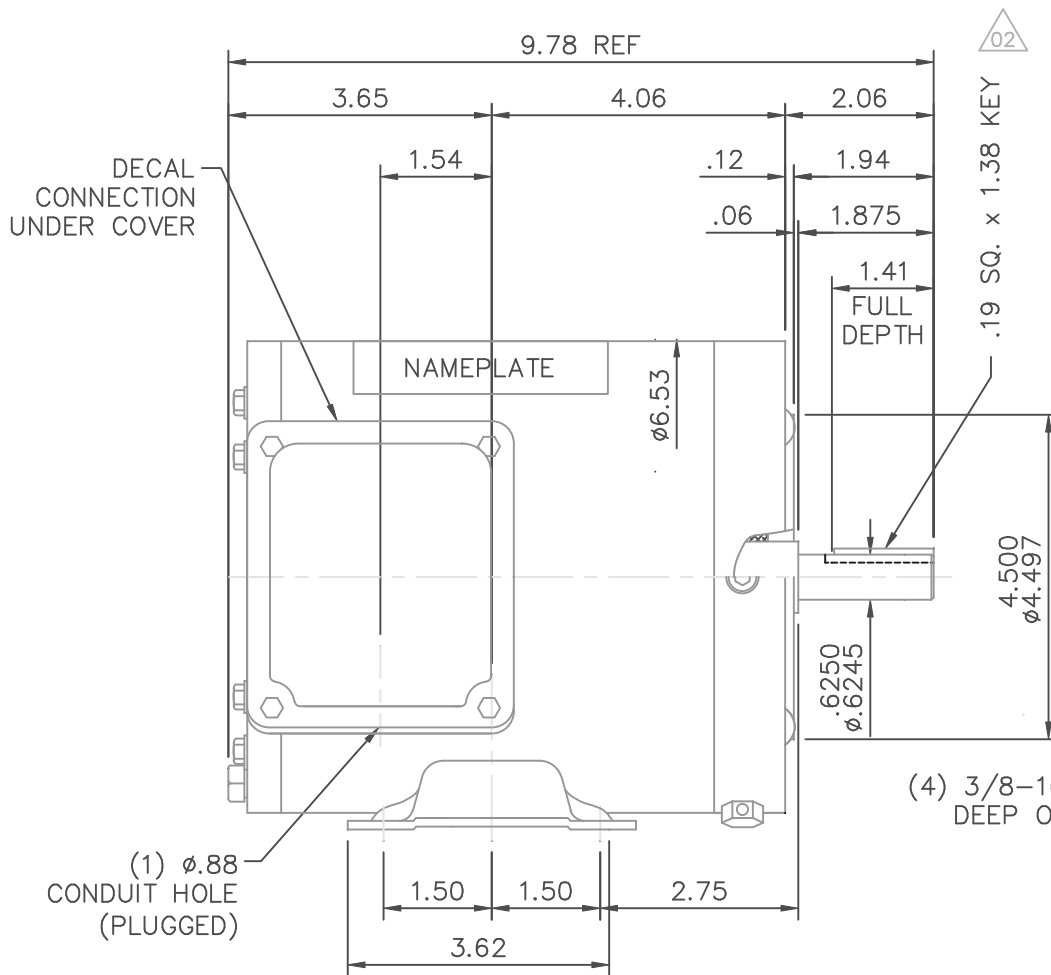
Nameplate Specifications

| | | | |
|----------------------------|--|------------------------|----------------------|
| Output HP | 0.33 Hp | Output KW | 0.25 kW |
| Frequency | 60 Hz | Voltage | 208-230/460 V |
| Current | 1.1-1.0/0.50 A | Speed | 3450 rpm |
| Service Factor | 1.15 | Phase | 3 |
| Efficiency | 74 % | Duty | Continuous |
| Insulation Class | F | Design Code | B |
| KVA Code | J | Frame | 56C |
| Enclosure | Totally Enclosed Non Ventilated | Overload Protector | No |
| Ambient Temperature | 40 °C | Drive End Bearing Size | 6205 |
| Opp Drive End Bearing Size | 6205 | UL | Recognized |
| CSA | Y | CE | Y |
| IP Code | 55 | | |

Technical Specifications

| | | | |
|-------------------|------------------------------------|-----------------------|------------------------|
| Electrical Type | Squirrel Cage Induction Run | Starting Method | Across The Line |
| Poles | 2 | Rotation | Reversible |
| Mounting | Rigid base | Motor Orientation | Horizontal |
| Drive End Bearing | Ball | Opp Drive End Bearing | Ball |
| Frame Material | Stainless Steel | Shaft Type | NEMA 56 |
| Overall Length | 9.78 in | Shaft Diameter | 0.625 in |
| Shaft Extension | 2.06 in | Assembly/Box Mounting | F1 Only |
| Outline Drawing | 16992900ME | Connection Diagram | 00501001ME |

This is an uncontrolled document once printed or downloaded and is subject to change without notice. Date Created: 06/29/2018



MAXIMUM FACE RUNOUT TO BE .004 T.I.R.
 MAXIMUM PILOT ECCENTRICITY .004 T.I.R.
 PERMISSIBLE SHAFT RUNOUT .002 T.I.R.

GASKETS THROUGHOUT

| | | | | TOLERANCES UNLESS SPECIFIED | | | DRAWN MGM 04/10/03 | | | |
|--|---|--------------|-----|-----------------------------|--------|---|--------------------|------|-------------|------|
| | | | | DEC. | INCHES | | CHK RDW 04/10/03 | | | |
| | | | | .X | ±.1 | | APPD | | | |
| | | | | .XX | ±.03 | | SCALE 3=8 | | | |
| 02 | UPDATED SHAFT EXT DIMS | RDW 4/26/04 | SW | .XXX | ±.005 | TITLE OUTLINE - 56C FRAME TENV - RIGID "C" | | REF | | |
| 01 | CONDUIT HOLE WAS 1/2-14 NPT, DIM .157 WAS .12 | SW 10/7/2003 | RDW | .XXXX | ±.0005 | MAT'L. | | FMF | | |
| NO. | REVISION | BY & DATE | CHK | ANG | ±1/2' | FINISH | | PREV | | |
| THIS DRAWING IN DESIGN AND DETAIL IS OUR PROPERTY AND MUST NOT BE USED EXCEPT IN CONNECTION WITH OUR WORK ALL RIGHTS OF DESIGN AND INVENTION ARE RESERVED THIS IS AN ELECTRONICALLY GENERATED DOCUMENT - DO NOT SCALE THIS PRINT | | | | RFP | | CAD FILE | 16992900ME | SIZE | DRAWING NO. | REV. |
| | | | | DIST | | A | 169929.00ME | | 01 | |

VIEW FROM OUTSIDE OF MOTOR AT SWITCH END.



| VOLTAGE | L1 | L2 | L3 | JOIN & INSULATE |
|---------|-------|-------|-------|-------------------------------|
| HIGH | T1 | T2 | T3 | (T4,T7) (T5,T8) (T6,T9) |
| LOW | T1,T7 | T2,T8 | T3,T9 | T4,T5,T6 |

| | | TOLERANCES UNLESS SPECIFIED | | MARATHON ELECTRIC | | DRAWN RDW 04/12/02 | |
|--|----------|-----------------------------|--------|-------------------------|-------|--------------------|------------|
| | | DEC. | INCHES | | | CHK | |
| | | .X | ±.1 | | | APPD | |
| | | .XX | ±.01 | TITLE | | SCALE 1=1 | |
| | | .XXX | ±.005 | EXTERNAL WIRING DIAGRAM | | REF FIG.2-51 | |
| | | .XXXX | ±.0005 | MAT'L. | | FMF | |
| | | | | DECAL - 004014 | | PREV | |
| NO. | REVISION | BY & DATE | CHK | ANG | ±1/2' | FINISH | |
| | | | RFP | 04/12/02 | | CAD FILE | 00501001ME |
| | | | DIST | | | SIZE | A |
| THIS DRAWING IN DESIGN AND DETAIL IS OUR PROPERTY AND MUST NOT BE USED EXCEPT IN CONNECTION WITH OUR WORK ALL RIGHTS OF DESIGN AND INVENTION ARE RESERVED THIS IS AN ELECTRONICALLY GENERATED DOCUMENT - DO NOT SCALE THIS PRINT | | | | | | DRAWING NO. | |
| | | | | | | 005010-01ME | |
| | | | | | | REV. | |

CERTIFICATION DATA SHEET

Model#: 56T34VD5301 A WINDING#: QT6324 NR 3
 CONN. DIAGRAM: 00501001ME ASSEMBLY: F1 ONLY
 OUTLINE: 16992900ME

TYPICAL MOTOR PERFORMANCE DATA

| HP | KW | SYNC. RPM | F.L. RPM | FRAME | ENCLOSURE | KVA CODE | DESIGN |
|---------|-----------|-----------|-----------|-------|-----------|----------|--------|
| 1/3&1/4 | 0.25&0.19 | 3600 | 3450&2850 | 56C | TENV | J | B |

| PH | Hz | VOLTS | FL AMPS | START TYPE | DUTY | INSL | S.F | AMB°C | ELEVATION |
|----|-------|-----------------------------|-----------------|--------------------|----------------|------|-----------|-------|-----------|
| 3 | 60/50 | 208- 230/460#190/ 380 | 1.1-1/.5&.9/.45 | ACROSS THE LINE | CONTINUOU S | F5 | 1.15/1.15 | 40 | 3300 |

| FULL LOAD EFF: 74 | 3/4 LOAD EFF: 66.5 | 1/2 LOAD EFF: 60.2 | GTD. EFF | ELEC. TYPE | NO LOAD AMPS |
|--------------------|--------------------|--------------------|----------|-----------------|--------------|
| FULL LOAD PF: 84.7 | 3/4 LOAD PF: 81.1 | 1/2 LOAD PF: 74.2 | - | SQ CAGE IND RUN | .6 / .3 |

| F.L. TORQUE | LOCKED ROTOR AMPS | L.R. TORQUE | B.D. TORQUE | F.L. RISE°C |
|-------------|-------------------|----------------|--------------|-------------|
| 8.2 LB-FT | 6.1 / 3.1 | 19.7 LB-FT 246 | 24 LB-FT 300 | - |

| SOUND PRESSURE @ 3 FT. | SOUND POWER | ROTOR WK^2 | MAX. WK^2 | SAFE STALL TIME | STARTS /HOUR | APPROX. MOTOR WGT |
|------------------------|-------------|---------------|-----------|-----------------|--------------|-------------------|
| - dBA | - dBA | 0.028 LB-FT^2 | - LB-FT^2 | - SEC. | - | - LBS. |

*** SUPPLEMENTAL INFORMATION ***

| DE BRACKET TYPE | ODE BRACKET TYPE | MOUNT TYPE | ORIENTATION | SEVERE DUTY | HAZARDOUS LOCATION | DRIP COVER | SCREENS | PAINT |
|-----------------|------------------|------------|-------------|-------------|--------------------|------------|---------|----------|
| C-FACE | STANDARD | RIGID | HORIZONTAL | FALSE | NONE | FALSE | NONE | NO PAINT |

| BEARINGS | | GREASE | SHAFT TYPE | SPECIAL DE | SPECIAL ODE | SHAFT MATERIAL | FRAME MATERIAL |
|----------|------|------------|-------------|------------|-------------|--------------------------|--------------------|
| DE | OPE | | | | | | |
| BALL | BALL | POLYREX EM | STANDARD 56 | NONE | NONE | 303 STAINLESS (C-501) | STAINLESS STEEL |
| 6205 | 6205 | | | | | | |

| THERMO-PROTECTORS | | | | THERMISTORS | CONTROL | SPACE /n HEATERS |
|-------------------|------------|----------|----------|-------------|---------|------------------|
| THERMOSTATS | PROTECTORS | WDG RTDs | BRG RTDs | | | |
| NONE | NOT | NONE | NONE | NONE | FALSE | NONE VOLTS |

If Inverter equals NONE, contact factory for further information

| |
|---------------------------|
| INVERTER TORQUE: NONE |
| INV. HP SPEED RANGE: NONE |
| ENCODER: NONE |
| NONE NONE |
| NONE NONE PPR |
| BRAKE: NONE NONE |
| NONE P/N NONE |
| NONE NONE |
| NONE FT-LB NONE V NONE Hz |

*
N
O
T
E
S
*

DATE: 06/28/2017 02:35:33 AM
 FORM 3531 REV.3 02/07/99
 ** Subject to change without notice.